



FULLY ELECTRONIC FAN CONTROLLER

SPA-AHK, SPA 6.3 AHK, SPA 10 AHK



Fan controllers are used for room temperature control and the continuous speed control of ventilators. Additionally, the devices offer outputs to control a heating system, for damper actuating motors and external power elements as well as an output to connect an alarm device.

- Connection of ventilators to 6.3A or 10A, 230V AC or via an external power element
- Digital temperature display
- Speed display
- Adjustable control range
- Setting min./max. speed
- Minimum air flow control
- Heater contact and control output for a infinitely variable heater
- Alarm contact for under/over temperature and power failure
- Outdoor sensor for ideal air volume reduction and alarm compensation
- Setting min./max. damper opening, insertion point and control area in the cover
- Connection option for additional sensor with its own control output, e.g. for piglet zone heaters
- Sensor adjustment
- Housing IP 54 with quick release



Additional functions, depending on version:

- Control of 2 ventilator groups
- Direct switching of the auxiliary winding
- Alarm in the event of ventilator failure

Scope of delivery:

- 1 fan controller
- 1 or 2 temperature sensors FS 103.1
- Installation accessories
- Drilling template

PRODUCT RANGE						
TYPE			SPA-AHK	SPA 6.3 AHK	SPA 10 AHK	
TECHNICAL DATA						
Temperature range	5 to 40°C, adjustable		X	X	X	
Control range	1 to 10K, adjustable		X	X	X	
Alarm under temperature	-2 to 10K, adjustable		X	X	X	
Alarm over temperature	2 to 20K, adjustable		X	X	X	
Heater	-5 to +5K, adjustable		X	X	X	
Lowest output voltage (minimum speed)	approx. 70 to 130V, adjustable			X	X	
Highest output voltage (maximum speed)	approx. 160 to 230V, adjustable			X	X	
Displays:	Switching statuses	LED	X	X	X	
	Speed	9-step LED luminous band	X	X	X	
	Room temperature	Three-digit LED display	X	X	X	
Sensor: FS 103.1	KTY semi-conductor element (Polarity does not need to be observed)		X	X	X	
Operating voltage	230V AC; +10%, -15%		X	X	X	
Outputs:	Heater/alarm	Isolated contacts	X	X	X	
	Fan	Continuous control (phase control)		X	X	
	0-10V	Damper		X	X	X
		Infinitely variable heater		X	X	X
		External power element		X	X	X
Max. permitted switching current: Fan	6.3A			X		
	10A				X	
	Heater	8(8)A, 250V AC	X	X	X	
	Alarm	2(2)A, 250V AC	X	X	X	
Permitted environmental temperature	0°C to 40°C		X	X	X	

PRODUCT RANGE

TYPE

SPA-AHK

SPA 6.3 AHK

SPA 10 AHK

HOUSING

Material	Plastic	X	X	X
Dimensions	242 x 185 x 115 mm (W x H x D)	X	X	
	251 x 185 x 115 mm (W x H x D)			X
Mounting	Wall fastening	X	X	X
Protection system	IP 54	X	X	X
Protection class	I according to EN 60730	X	X	X
Weight	approx. 1200g	X		
	approx. 1500g		X	
	approx. 1800g			X

ORDER DESIGNATION

Motor
monitoring

Switched
auxiliary winding

2 fan groups

Number of sensors
in the scope of delivery

1x

2x

SPA-AHK

X

SPA-AHK.F1

X

SPA 6.3 AHK

X

X

SPA 6.3 AHKM

X

X

X

SPA 6.3E AHK

X

X

SPA 6.3E AHKM

X

X

X

SPA 10 AHK

X

X

SPA 10 AHKM

X

X

X

SPA 10E AHK

X

X

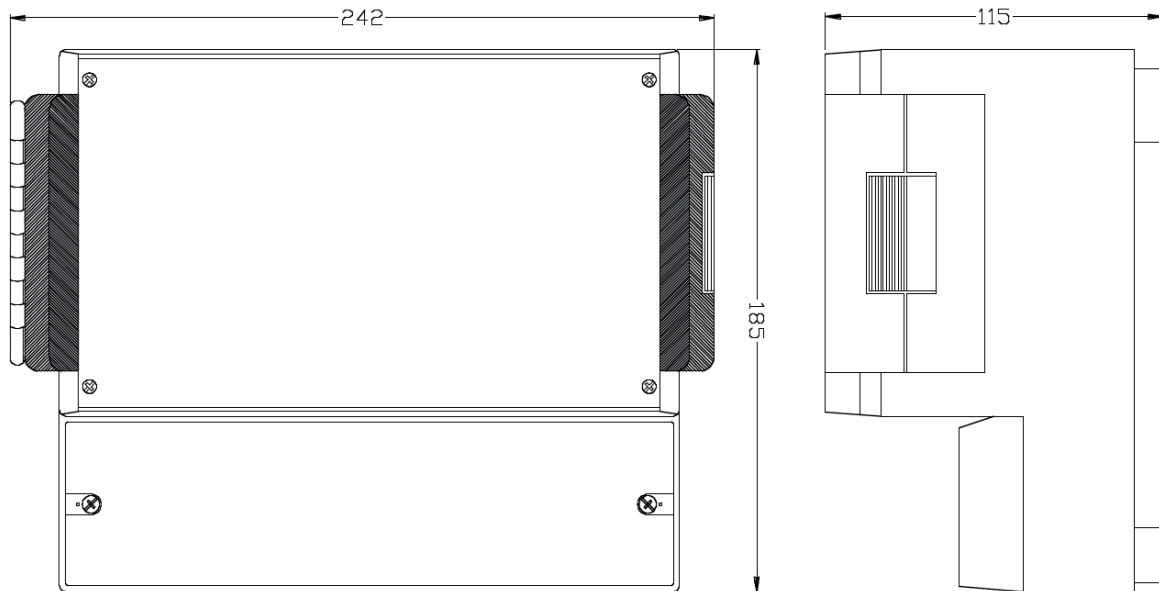
SPA 10E AHKM

X

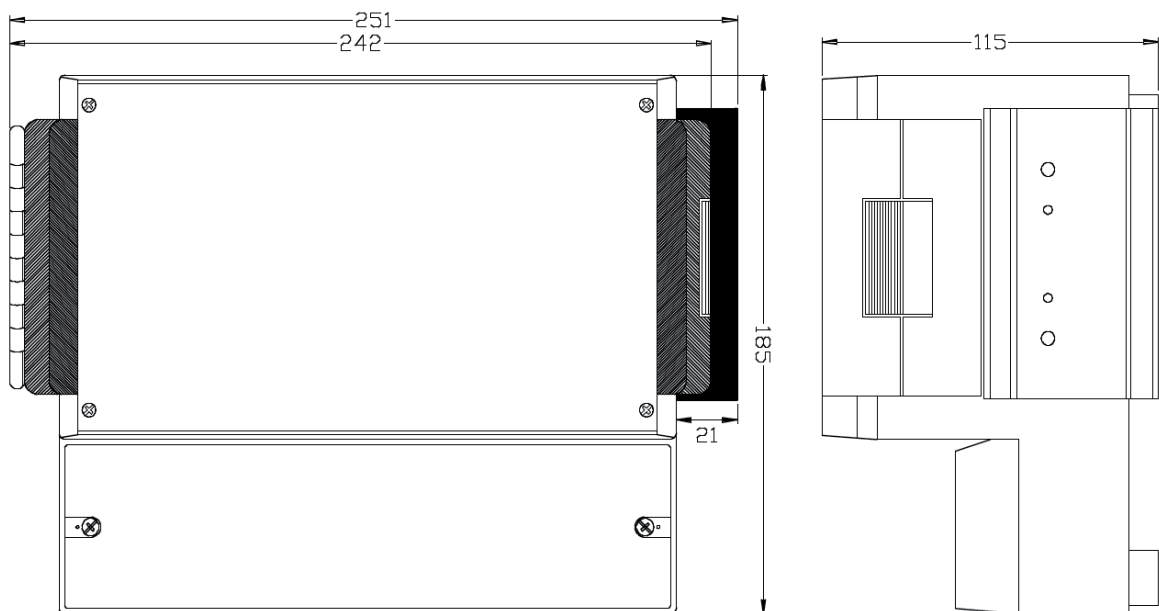
X

X

HOUSING DIMENSIONS

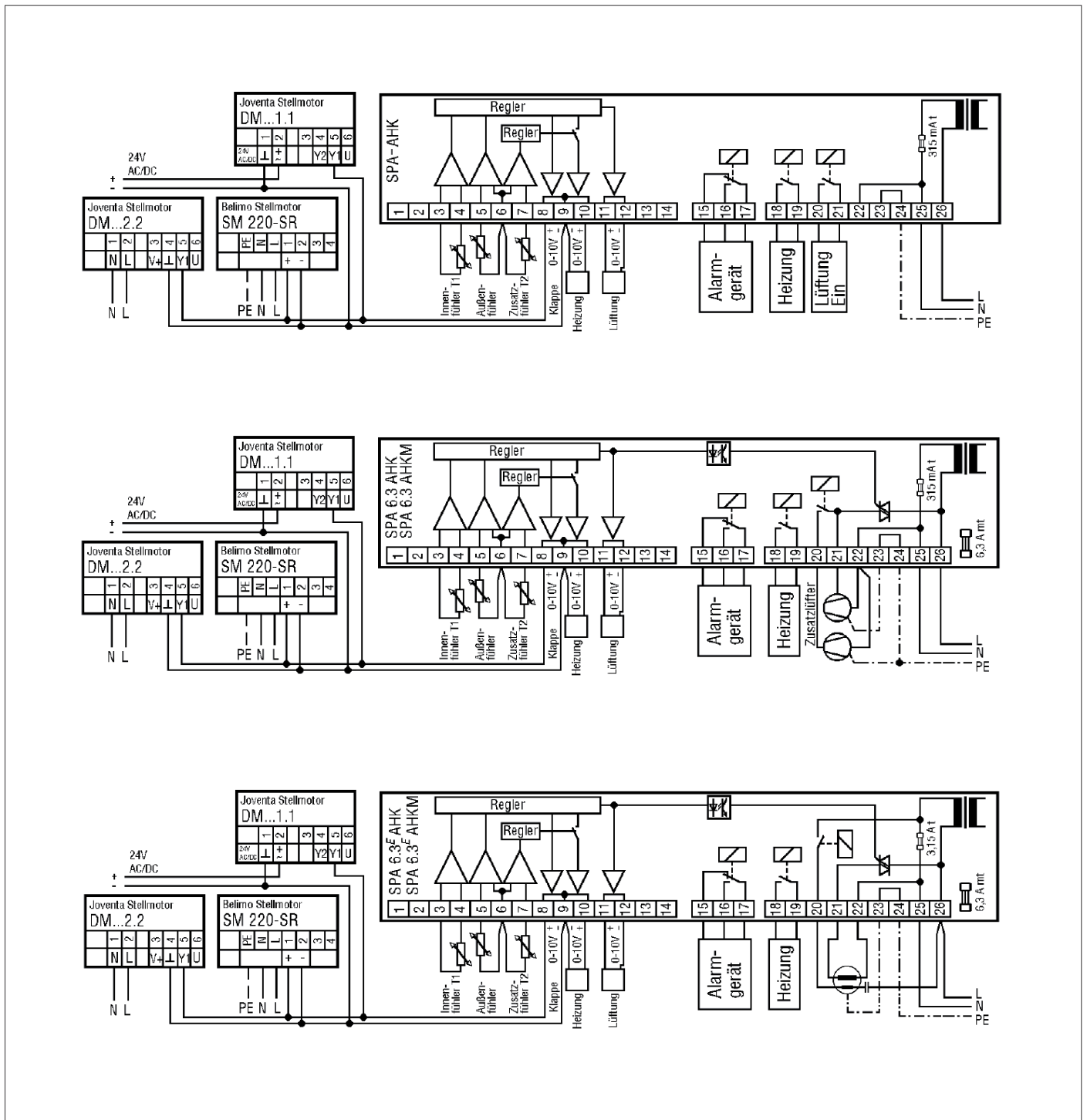


SPA-AHK, SPA 6.3 AHK



SPA 10 AHK

CONNECTION DIAGRAMS



Subject to change